

REMINGTON®

EST. NEW YORK 1937

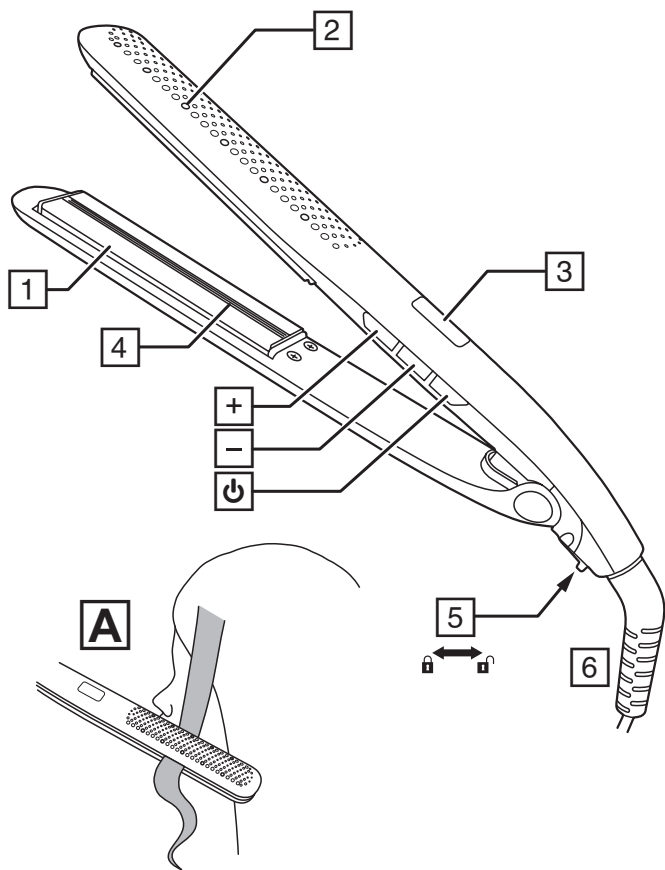


Wet 2 Straight Pro Straightener S7970

 remington-europe.com

Register online for an **EXTRA** year guarantee


Visit uk.remington-europe.com/product-registration You must register within 28 days of purchase.



Thank you for buying your new Remington® product. Please read these instructions carefully and keep them safe. Remove all packaging before use.

WARNING: This appliance is hot. Keep out of reach of children at all times.

IMPORTANT SAFEGUARDS

- This appliance can be used by children aged from 8 years and above and persons with reduced physical, sensory or mental capabilities or lack of experience and knowledge if they have been supervised/instructed and understand the hazards involved. Children shall not play with the appliance. Cleaning and user maintenance shall not be done by children unless they are older than 8 and supervised. Keep the appliance and cable out of reach of children under 8 years.
 -  Do not use this appliance near bathtubs, showers, basins or other vessels containing water.
 - When the appliance is used in a bathroom, unplug it after use since the proximity of water presents a hazard even when the appliance is switched off.
 - For additional protection, the installation of a residual current device (RCD) having a rated residual operating current not exceeding 30 mA is advisable in the electrical circuit supplying the bathroom*.
- * Currently, the fitting in a bathroom of an electrical socket suitable or capable of operating the appliance is not permitted in the UK (see BS7671).
- Burn hazard. Keep the appliance out of reach from young children, particularly during use and while cooling down.
 - Never leave the appliance unattended when it is connected to the power supply.
 - Always place the appliance with its stand, if any, on a heat-resistant, stable flat surface.

- If the supply cord is damaged, it must be replaced by the manufacturer, its service agent or similarly qualified persons in order to avoid a hazard.
- Do not allow any part of the appliance touch the face, neck or scalp.
- Keep the power plug and cord away from heated surfaces.
- Do not use attachments other than those we supply.
- Do not use the appliance if it is damaged or malfunctions.
- Do not twist or kink the cable, or wrap it round the appliance. Check the cord regularly for any signs of damage.
- CAUTION: Always remove the appliance from the storage pouch/sleeve before heating and allow it to fully cool before placing it back.
- This appliance is not intended for commercial or salon use.

PARTS


- | | |
|-----------------------------------|--------------------------------|
| 1. Advanced ceramic coated plates | Controls: |
| 2. Vents | ⏻ On/off button |
| 3. Display | +/- Temperature/mode functions |
| 4. Moisture sensor | Accessories (not shown): |
| 5. Hinge lock | • Storage pouch |
| 6. Swivel cord | |

ADDITIONAL FEATURES

- Fast heat up—ready to use in 15 seconds.
- Automatic safety shut off – this unit will switch itself off if no button is pressed or it is left on after 60 minutes.
- Multivoltage: for home or abroad. At 120V times and temperatures may vary.

INSTRUCTIONS FOR USE

This Straightener can be used on wet or dry hair.

- Wash and condition your hair as normal.
 - Squeeze out excess moisture with a towel and comb through.
 - Section the hair prior to styling. Style the lower layers first.
1. Plug the product into the mains power supply.
 - When the styler is plugged in but not turned on a lock symbol  will show in the display window indicating the styler is in standby mode.
 2. Press the on (⏻) button to switch on. The device will beep.

Dry Mode – Use on Dry Hair

- Before use, ensure the hair is clean, dry and tangle-free.
 - Dry mode is the default setting when the styler is turned on, the backlight on the display is white.
 - To use on wet hair see 'Wet Mode' below.
1. Select the appropriate temperature for your hair using the +/- controls on the side of the product. Start styling on the lower temperatures first.
 2. The '+' button will increase the temperature the '-' button will decrease the temperature.

Recommended Temperatures

Temperature	Hair Type
140°C - 160°C	Thin / fine, damaged or bleached hair
160°C - 190°C	Normal, healthy hair
200°C - 230°C	Thick, very curly and difficult to style hair

Caution: the hottest temperatures should only be used by experienced stylists.



3. The temperature shown on the display will stop flashing and the device will beep three times when it is ready to use.
4. Working on one section at a time, run the straightener through the entire length of the hair without stopping.
5. After use, press and hold the on/off (⏻) button for two seconds to turn off then unplug the appliance.

Wet Mode – Use on Towel Dried Hair

- Towel dry hair well before styling.
 - Do not use on dripping wet hair.
1. Press and hold the '+' button for 2 seconds to activate wet mode.
 2. The device will beep, the display will turn blue and the (☁) symbol will appear.
 3. The moisture sensor rapidly adjusts the temperature of the plates during each straightening pass based on how wet the hair is. This ensures that the plates are always at the optimum temperature preventing damage. These temperature changes are not displayed by the straightener but happen automatically during styling.
- **IMPORTANT:** In use, ensure the vent holes are directed away from the face, neck and scalp (Fig A). When straightening wet hair you will hear a hissing sound and the unit will steam. This is a good thing – it is the sound of excess water in your hair evaporating and this is not harmful to the condition on your hair.

- Working on one section at a time, run the straightener through the entire length of the hair without stopping. If necessary repeat until the section is dry.
- To de-activate Wet Mode hold the '+' button for 2 seconds.

Temperature Lock Function

- Set the desired temperature using the + and - buttons then lock the settings by pressing the "—" button for 2 seconds. The device will beep twice and the  symbol will appear on the temperature display.
- To unlock the temperature setting, press and hold the "—" button for 2 seconds. The device will beep twice and the  symbol will go out.

STORAGE, CLEANING AND MAINTENANCE

Let the appliance cool down before cleaning and storing away

- Wipe all the surfaces with a damp cloth.
- Don't use harsh or abrasive cleaning agents or solvents.

The plates can be locked together for easy storage:

To lock, close the plates and push the hinge lock forwards (towards the plates).

To unlock, slide the hinge lock backwards towards the cord to the unlocked position.

NOTE: Do not heat the unit in the locked position.

RECYCLING



To avoid environmental and health problems due to hazardous substances, appliances and rechargeable and non-rechargeable batteries marked with one of these symbols must not be disposed of with unsorted municipal waste. Always dispose of electrical and electronic products and, where applicable, rechargeable and non-rechargeable batteries, at an appropriate official recycling/ collection point.

SERVICE AND GUARANTEE



Defects affecting product functionality appearing within the guarantee period will be corrected by replacement or repair at our option provided the product is used and maintained in accordance with the instructions. Your statutory rights are not affected.

This warranty shall not be valid where it is contrary to U.S. and other applicable laws, or where the warranty would be prohibited under

any economic sanctions, export control laws, embargos, or other restrictive trade measures enforced by the United States or other applicable jurisdictions. This includes, without limitation, any warranty claims implicating parties from, or otherwise located in, Cuba, Iran, North Korea, Syria and the Crimea region.

To claim an extra 1 year guarantee, register your product online within 28 days of purchase.

Register at: <https://uk.remington-europe.com/product-registration>

Consumables are guaranteed only for their recommended lifecycle. Replacement/spare parts* are excluded and are only covered by a 1 year warranty.

*Examples include, but are not limited to, adaptors, haircare attachments, grooming accessories, etc.

SERVICE CENTRE

United Kingdom

 0800 212 438 (free call mainland UK)

Spectrum Brands (UK) Ltd

Fir Street, Failsworth, Manchester


M35 0HS, UK

www.remington.co.uk

Product support:

productsupport@remington.co.uk

Ireland

 142 951 40

Remington Consumer Products,

Unit B12, Ballymount Corporate Park,

Ballymount, Dublin 12

<https://ie.remington-europe.com>

Product support:

productsupport@remington.co.uk

Ref. No. S7970

Type No. S27A

20/UK/ S7970 T22-7001614 Version 09 /20

Remington® is a Registered Trade Mark of Spectrum Brands, Inc., or one of its subsidiaries.

Spectrum Brands (UK) Ltd

Fir Street,

Failsworth,

Manchester

M35 0HS

remington-europe.com

© 2020 Spectrum Brands, Inc.